



The SeceuroGlide range is CE marked by the manufacturer under the Construction Products Regulation and supports installer CE marking under the Machinery Directive.

5 YR WARRANTY
UK EXCLUSIVE FULLY COMPREHENSIVE WARRANTY



Fitting Instructions for the Elite Side Mounted System



SeceuroGlide | Sectional Elite Side Mounted System



Fitting Instructions

Content

| | |
|--|----|
| Introduction | 3 |
| Checking the set dimensions | 6 |
| Overall Drawing | 7 |
| Installing the Elite System Frame | 9 |
| Installing of the horizontal track set | 14 |
| Installing the fingersafe panels | 17 |
| Installing the cables and adjusting the balancing system | 22 |
| Adjusting the door | 25 |
| Parts List | 27 |
| References summary table | 28 |
| Maintenance | 30 |
| Disassembly | 31 |
| Disposal | 31 |

Introduction

The door set discussed in this assembly instruction is called the Elite System set and has the following features:

- Double track door set allowing installation with minimum headroom of 100 mm.
- The door is balanced by means of duplex tension springs concealed within the vertical angle.
- Standard door dimensions (mm):
 - 3000 x 2150 Fingersafe panels Polyester
- This set includes door hardware available in galvanised or colour finish.

Tools required:

- 1 x screw gun with 10 mm socket
- 10, 13 and 24mm flat spanners
- 2 x mole grips
- 2 x G clamps
- 1 x spirit level
- 1 x Phillips PZ3 head screwdriver
- 1 x Ø 4.2 mm drill bit for steel

Advantages of the system

- Pre assembly of all brackets
- Pre assembly of springs
- Spring system more concealed
- No cable drums
- No spring / cable break devices
- No shafts, nor bearing plates
- Installation tolerances are larger due to standard use of Renovation profiles
- Reduced bracing required
- Reduced horizontal tracks length compared to Compact / Plus Systems

What happened to the safety devices?

- No cable break devices
 - ✓ The system utilises dual cables at each side. If one cable fails the second cable ensure that the door will not fall out of control (cfr EN12604: 2000. 4.7.3 norm steel cable).
 - ✓ If a cable breaks it will be clearly visible to the user. He will have to call the installer for the replacement of the cables.
- No Spring break devices
 - ✓ Each vertical angle consists of dual springs; an outer spring and an inner spring. The inner spring operates inside the outer spring.
 - ✓ The inner spring is designed to fail first.
 - ✓ If a spring fails it will be visual to the home owner and the door will slightly twist.
 - ✓ Spring will not break free from the system and thus cause any incident/accident (cfr EN12604: 2000; 4.7.1 norm Springs).

Tension Springs Characteristics

- Spring generates force by pulling the coils apart.
- Relaxation occurs after only 10 cycles reducing need to re-tension the door. For torsion springs this generally occurs after 100 cycles.
- Good linear force profile giving good balance characteristics throughout the door travel.
- Force restricted by the available space for the spring extension.
- Spring force range restricted by the displacement required by the spring run.



Important

For safety reasons, you must strictly adhere to the instructions below. Please contact your supplier if there is anything you are not sure about.

The following steps must be taken in order to ensure safety during assembly and when the door is in use.

- Please read this manual carefully before beginning the installation work.
- This manual is aimed at experienced professionals and not at the general public or apprentices.
- We advise you to wear protective gloves because some of the parts might have sharp edges and burrs.
- All of the components of this kit have been calculated for use with a specific door. So adding other components can affect both your own safety and will invalidate the warranty.
- Be very careful when tensioning the springs because considerable forces are brought into play.
- Please make sure that you are working in a well-lit area. To avoid accidents, make sure that nobody other than the assembler is present.
- Supply your own fixing material in accordance with current norms.

Checking the Set Dimensions

ave

Dimensional Characteristics of the Elite System

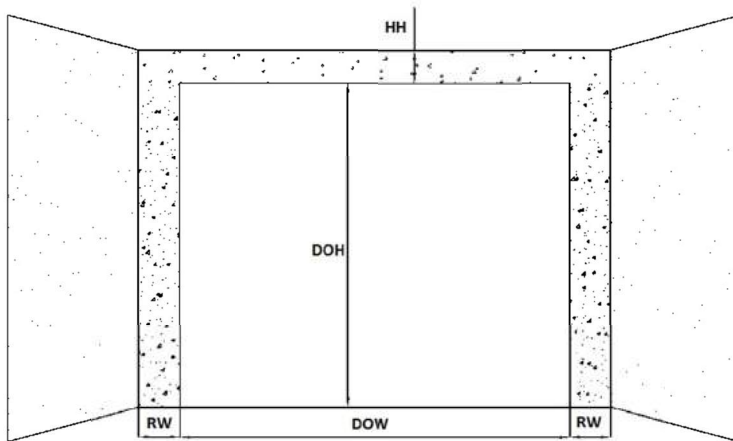


Figure 1 – Garage door frame dimensions

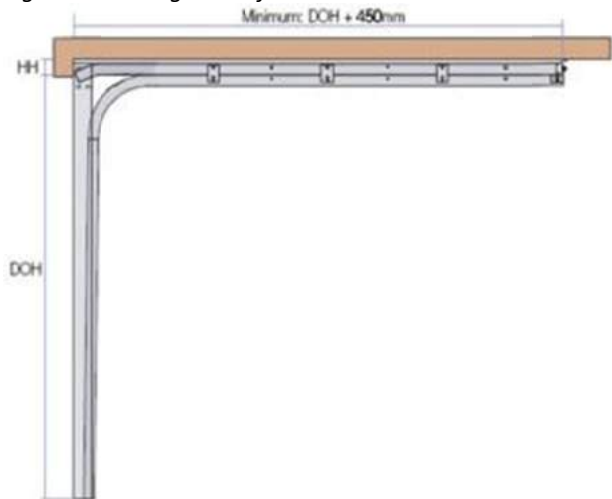


Figure 2 – Lateral dimensions / room needed

DOH = Day Opening Height

HH = Headroom Height

DOW = Day Opening Width

RW = Rabbet Width

Panel width:

DOW + 25 mm

Door height (panels + aluminium profiles + seals):

DOH + 25 mm

Minimum headroom height:

HH = 100 mm min. (manual)

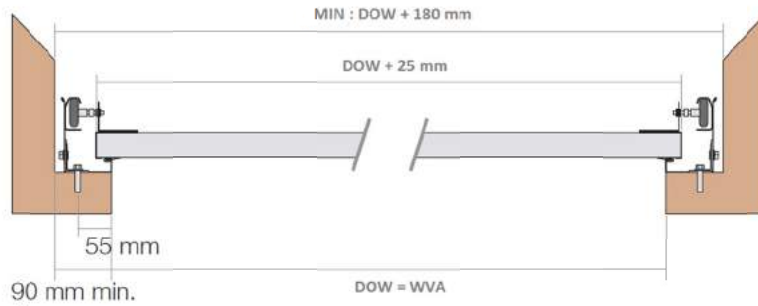
HH = 130 mm min. (motorised)

Overall Drawing

| |
|--|
| <p>DOW = Door Opening Width WVA = Width of Door Opening between Vertical Angles</p> |
|--|

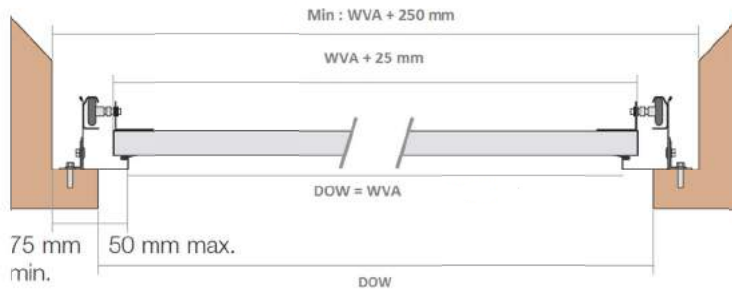
Fully behind the structure

Side room 90 mm minimum



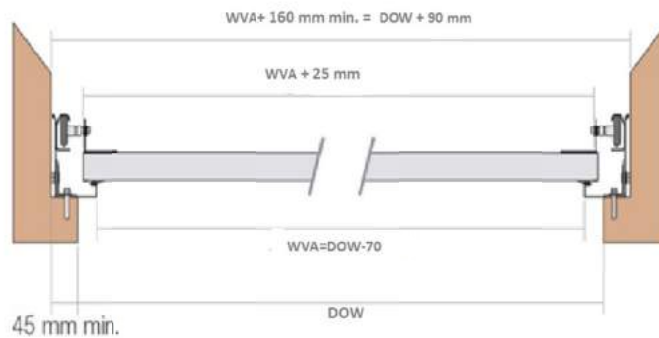
Maximum visible white angle

Side room 75 mm minimum

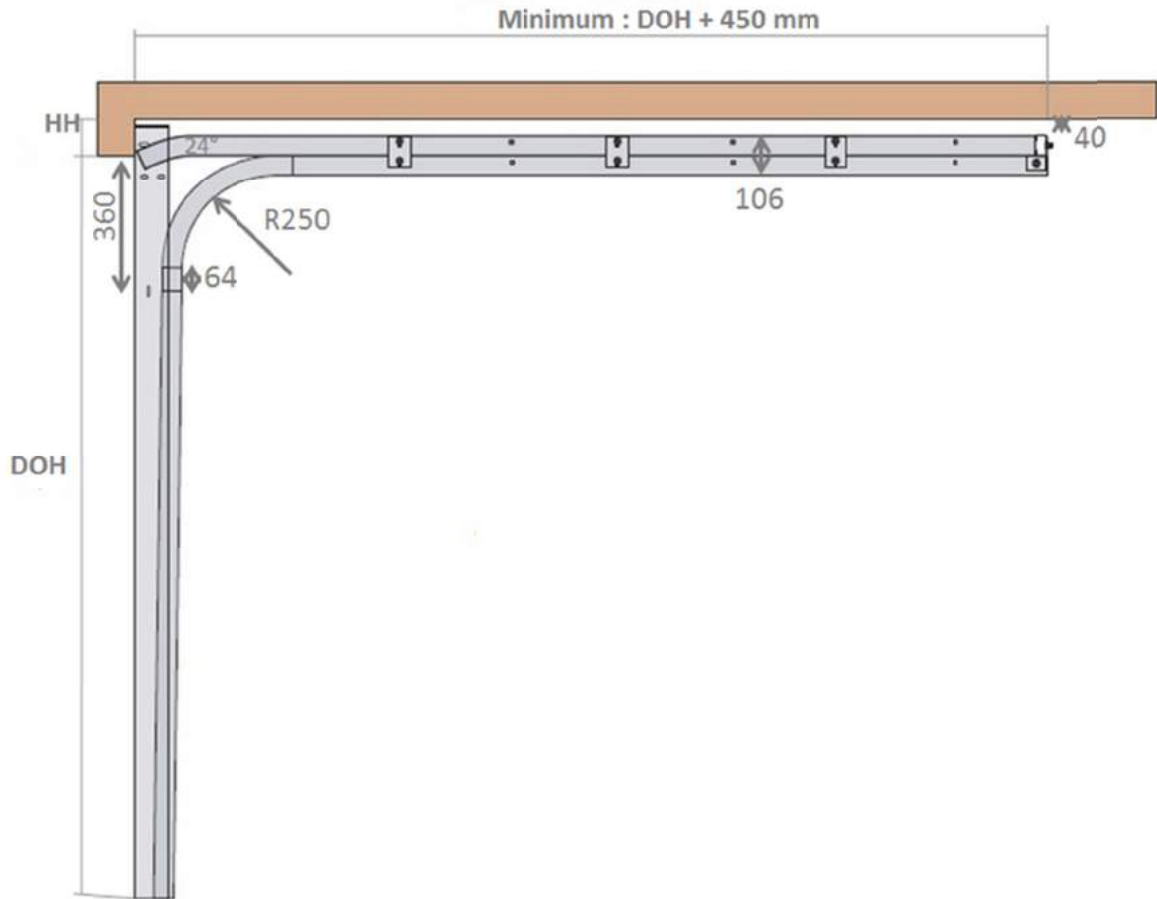


Inner wall fixing

Side room 45 mm minimum – 75 mm maximum



Further dimension details



Installing the Elite System Frame

- 1 Check the floor and top levels. Also make sure that the walls are perfectly perpendicular to the floor and perfectly straight to ensure the door is correctly sealed.
- 2 Lay down both vertical sets parallel on the floor. Make sure both bottom (ref. SG205T0) and top brackets (ref SG204LT & SG204RT) have previously been pre-installed (see figures 3,4,5 & 6). Check as well that the side seals are properly placed on the vertical angles. Seal is 80mm shorter than the vertical angle (see figure 5). Same type of seal should be placed on the lintel profile (see figure 7),



Figure 3 – vertical set (left hand)



Figure 4 - bottom bracket ref. SG205T0

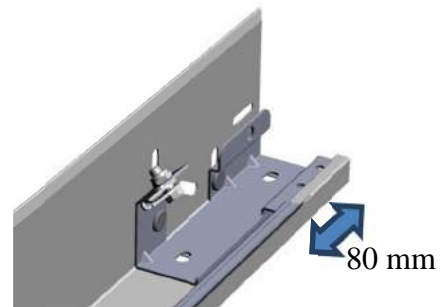


Figure 5 - top bracket ref. SG204LT

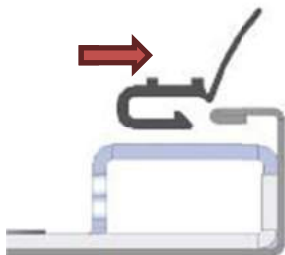


Figure 6 – ensure side seal is fixed into place

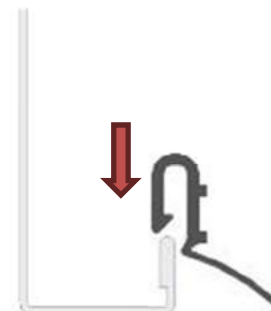


Figure 7 - slide the weather seal into the lintel profile

- 3** Use the lintel profile (ref SG207T1) as a spacer between both vertical sets, at their very top ends. Lintel Profile should be pre cut at the desired length. First check that the installation brackets (ref SG209T0) have been pre-assembled at both ends of the lintel. You can now use self-drilling screws (ref WI154WS) to assemble the lintel profile together with the vertical sets. Make sure the connections are 90° (see figures 8 & 9) and the lintel is tightly fitted to the vertical angles.

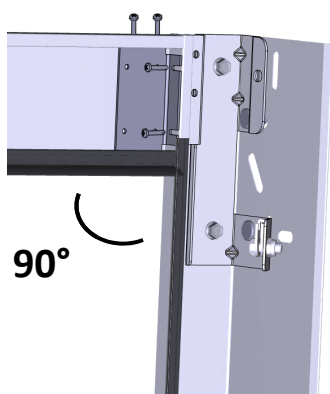


Figure 8 – top/right hand corner: connection of the lintel on the vertical angle

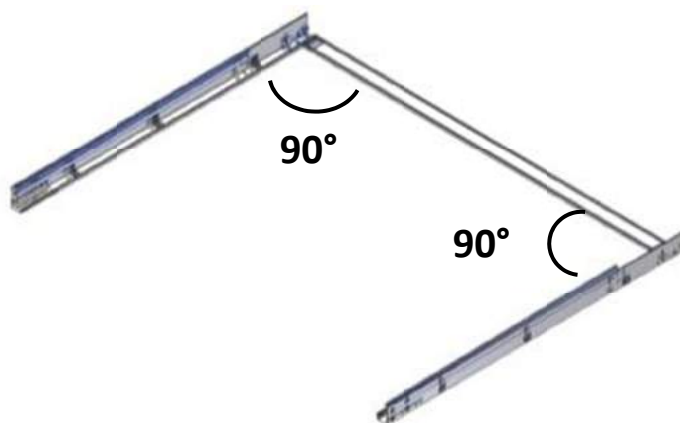


Figure 9 – floor assembly of lintel profile with vertical sets

- 4** Use the supplied Outer "C" track (ref SG048P0) to adjust the Elite Spring System frame (figure 10), by placing it inside the vertical angle (see figure 10). Note that the C track should already be cut to the desired length. A proper cut to size will enable your Elite System Frame to be 100% square.

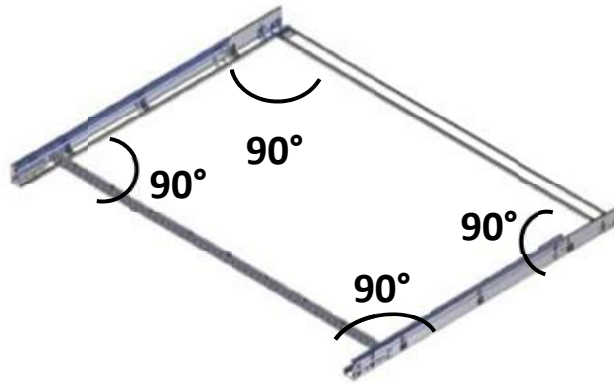


Figure 10 – outer C profile to be used as a spacer

- 5** Uplift your Elite system frame up to the walls. use a pair of G clamps to lock it in position. Then use a spirit level to ensure the frame is 100% correct. Measure the diagonals to double check.

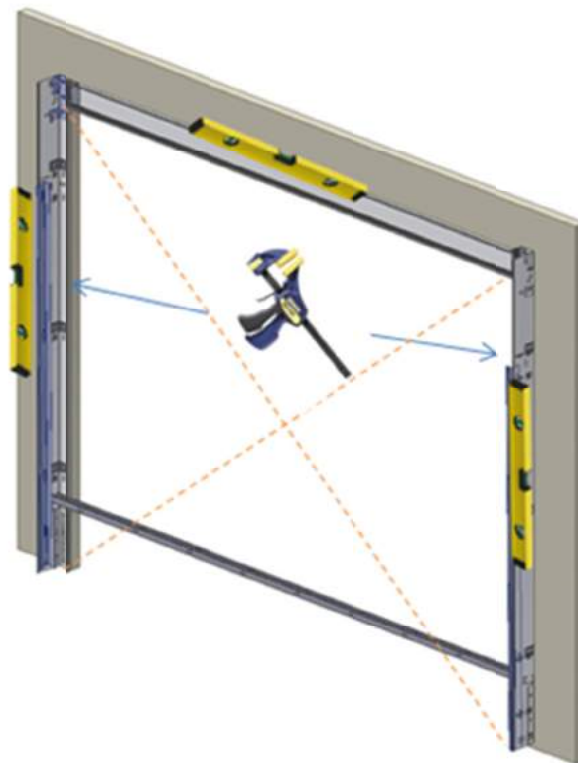


Figure 11 – mounting the Elite Spring System frame on the walls

- 6** Fix the vertical angle onto the wall thanks to 10mm rawl-plugs and 8mm self-tapping screws. Adjust the amount based on the structure quality (see figure 12). Ensure 2 screws are strongly fixed at the very top, through the top bracket (see figure 13).

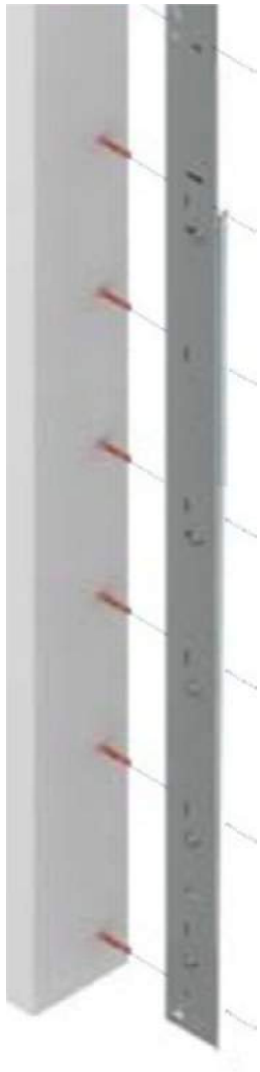


Figure 12

Vertical angles are now strongly and properly fixed onto the walls.

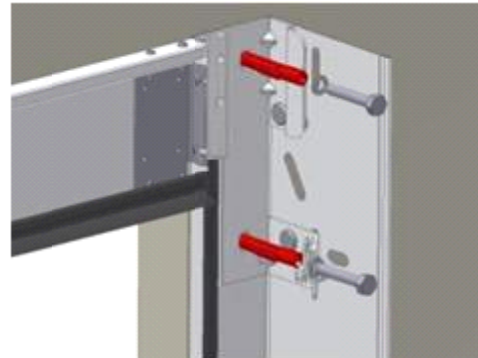
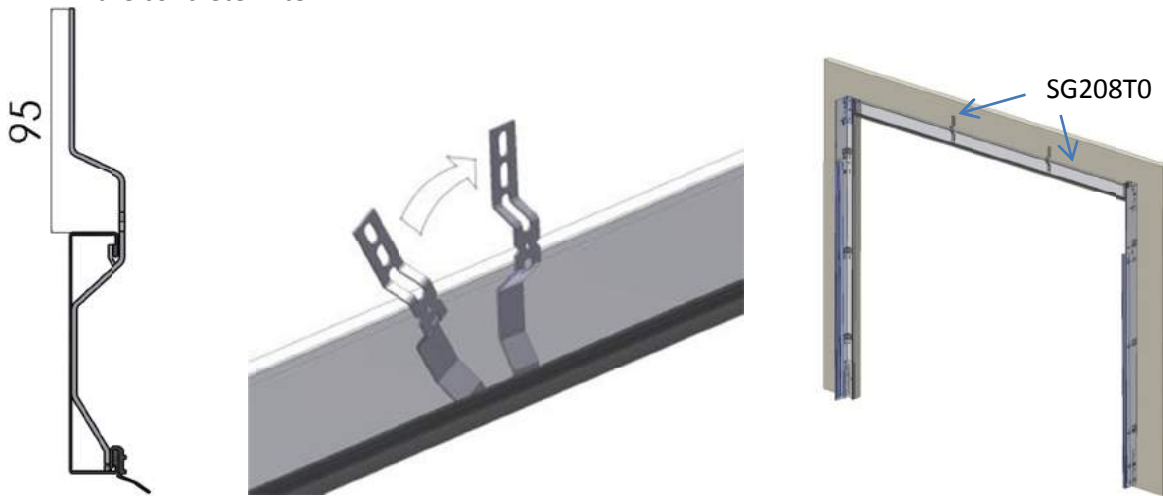


Figure 13

2 screws required through the top bracket

- 7** Slide in then rotate the installation brackets (ref SG208T0) into the lintel profile, equally spaced. You can now drill into the building lintel and attach the installation brackets with the same type of screws as the vertical angles. This operation should be done if enough room (95mm) above the lintel profile (see figure 14). If not drill through the lintel profile to fix into the concrete lintel.



Figures 14 – Elite Spring System lintel profile fixing

- 8** You can now assemble the reversible top pulleys (ref SG206T0) onto both top brackets using screws SG041P0. Make sure they are properly placed (strictly vertical; the shaft passing through the oblong hole of the top brackets) (see figures 15 & 16)

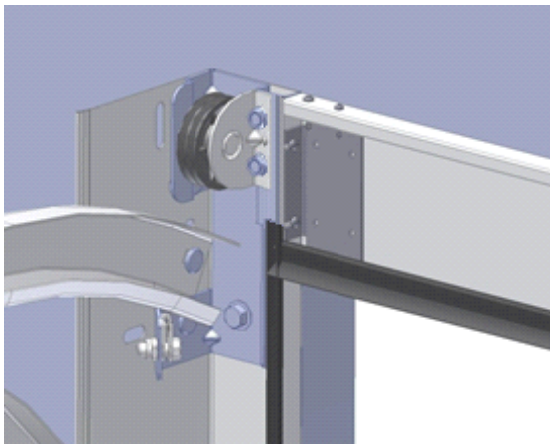


Figure 15: Top pulley assembled

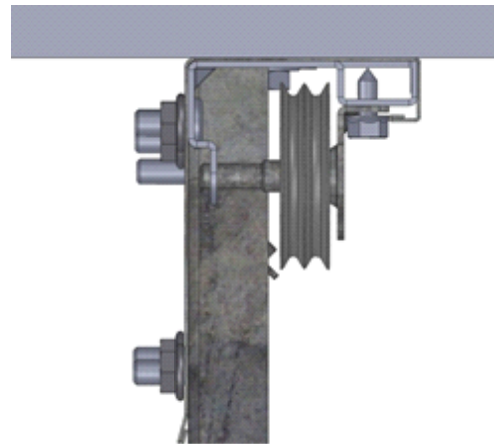


Figure 16: shaft passing through the top bracket hole

Installing the Horizontal Track Set

1. Horizontal track set description

The horizontal track set (ref SG212HT) comes in the form shown in figure 17.

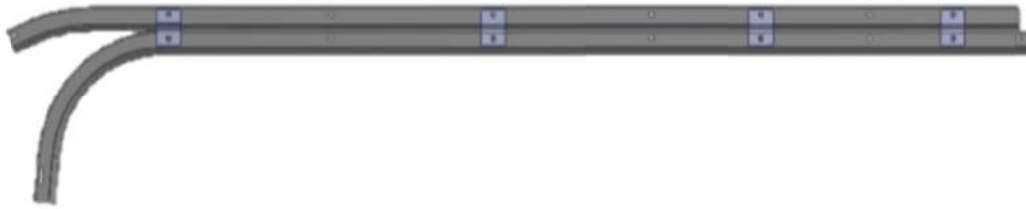


Figure 17: horizontal set

2. Assembling the horizontal track set

For your ease of installation the horizontal tracks are supplied to you pre-assembled

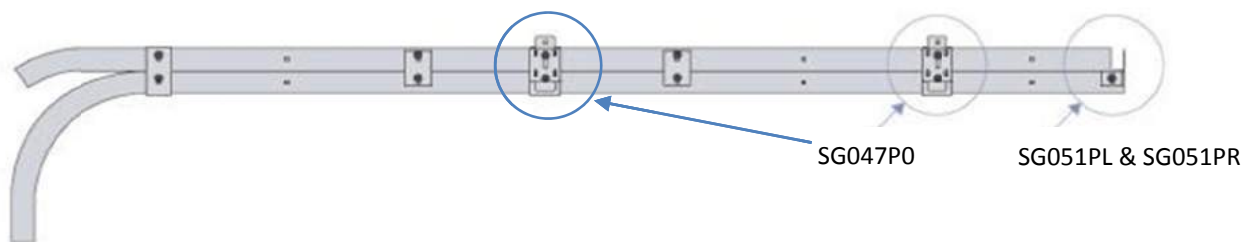


Figure 18: suspension brackets to be installed

As the the track set is pre-assembled all you have to do is turn it to face the corresponding angle and fasten it using M8 bolts (ref SG086P0) (Flat head inside of track). The exact location is as shown in figure 19.

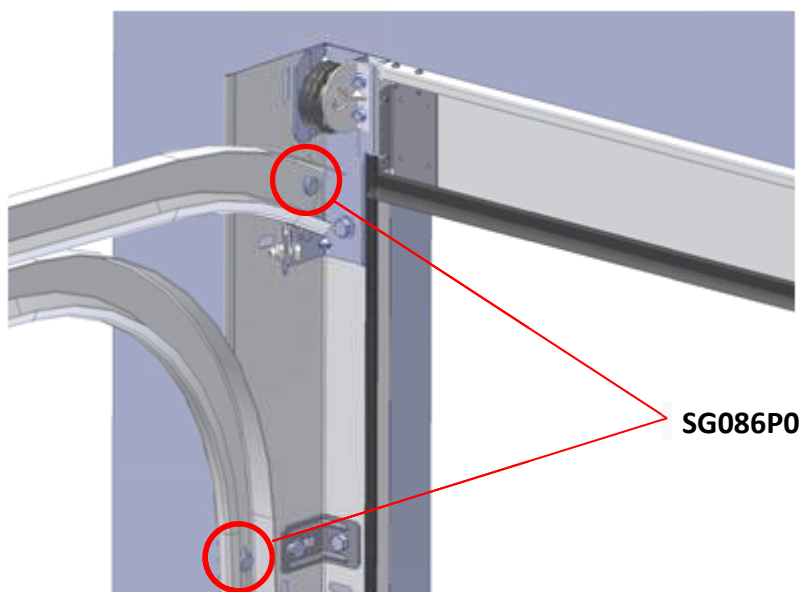


Figure 19: start of curves fixed to the vertical angles

Make sure that you adjust the assembly so that the horizontal track set is level (figure 19). Junction between vertical tracks and curve should be very smooth.

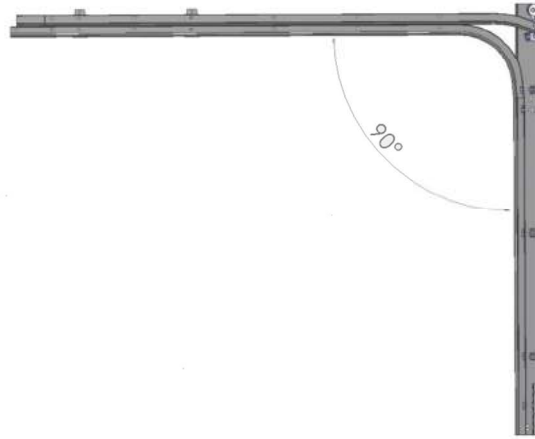


Figure 19: horizontal set at 90°

3. Fastening the horizontal track set (ceiling and walls)

Start by fastening the C profile (ref SG048P0) behind the horizontal tracks using the corner plates pre fitted to the tracks (ref SG051PL & SG051PR), use 3 M8 bolts for each side (ref SG086P1), See figures 20 & 21)

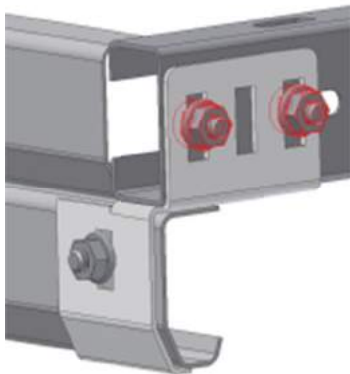


Figure 20: SG051PL bracket assembly

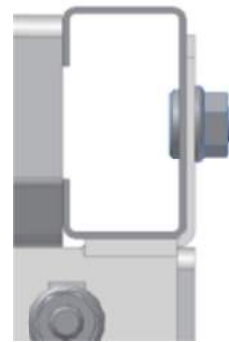


Figure 21: C spacer profile assembly

The horizontal track set can easily be fastened in 2 ways:

- **From the ceiling:**

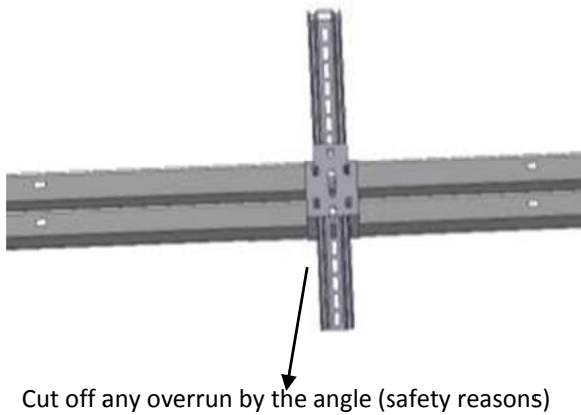


Figure 22: suspension from the ceiling

- Slide the suspension angles (ref SG054P0) into the double track supports (ref SG047P0) see figure 22.
- Bolt the angles firmly to the ceiling (rawl plug and self tapping screws).
- Adjust the points at which the angles are anchored to the track supports so that you can position the horizontal tracks perfectly horizontal.

- **Installation on the side-walls:**

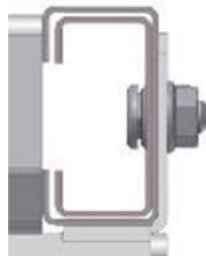


Figure 23: suspension from the walls assembly

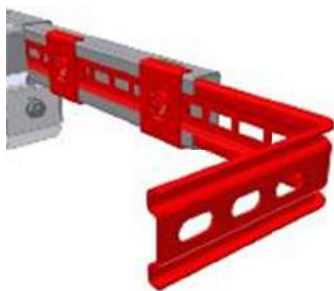


Figure 24: suspension from the walls

- Before the Outer C rail (ref SG048P0) is installed , slide 2 inner C rails (ref SG074P1) inside it on both sides
- Adjust the tracks so that they are around 200mm from the side walls. Fasten the outer & inner tracks to one another using M8 bolts (SG086P0)
- Insert a suspension angle (ref SG054P0) on either side of the C track & adjust it so it can be fastened to the wall.
- Fasten the angles firmly to the wall
- Bolt the angles onto the inner C tracks using M8 Bolts (SG086P0)

Installing the Insulated Panels

Our panels for domestic garage door installations are equipped with finger pinch protection, preventing any risks of injury during the movement of the panels.

1. Bottom Panel

- Fasten the following onto one side of the lower panel:
 - A bottom bracket (either ref. SG036PL or SG036PR) using 4 self-tapping screws 15 mm (ref. SG041P0) (see zoom of figure 26).
 - A side roller holder (either ref. SG202LT or SG202RT; same side as the bottom bracket) on the top of an intermediate hinge ref. SG032GO; using 2 self-tapping screws 15 mm (ref. SG041P0) (See zoom of figure 28).
 - Thread the end of the preassembled cables (nylon bush) through the centre of the roller (ref. SG210T0) before placing the roller in the bottom bracket (See figure 26).
 - Place this roller in the locations provided by the bottom bracket.
 - Place a roller (ref. SG203T0) in the location provided by the roller holder (See figure 28).
- Engage the 2 rollers so that they slot into the vertical track and put the panel into place.
- Fasten the other side bottom bracket and roller holder in the same way as above, remembering to thread the end of the cables through the centre of the roller before placing the roller in the bottom bracket.

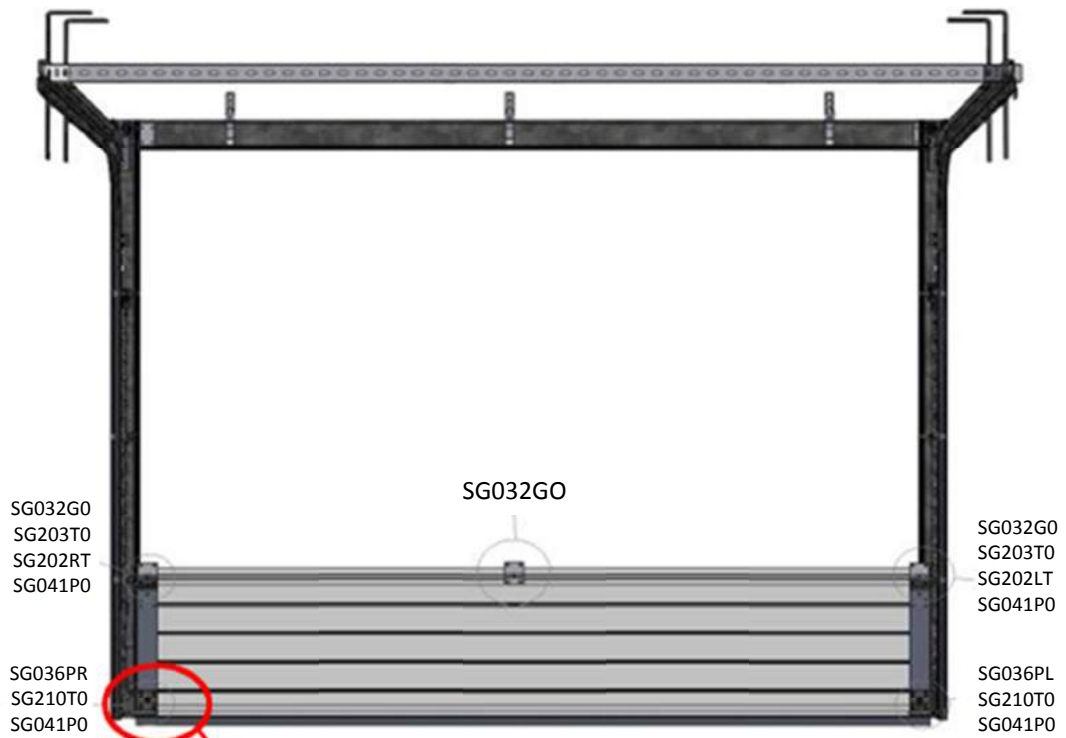


Figure 25: bottom panel installation

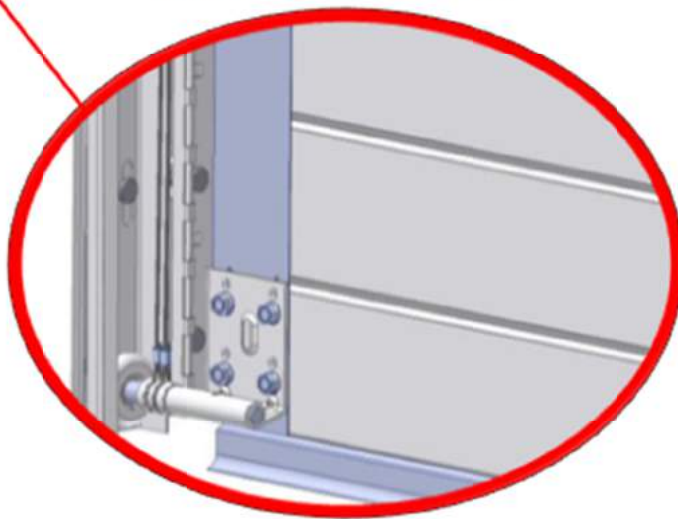


Figure 26: zoom on bottom bracket

2. Intermediate panels

- Place a roller (ref SG230T0) into the roller holder.
- Fasten the side roller holders (ref SG202LT 7 SG202RT) at the top of the panel (above intermediate hinges ref SG032G0) and on either side using 2 self-tapping screws (as above). Loosen the roller holder nuts; you will tighten these once the panel is installed.
- Place the panel on the lower panel. Slide the remaining roller (ref SG203T0) into the roller holder and bolt the nuts onto the roller holders using a pair of 24 mm flat spanners (see figure 27).
- Fasten the side roller holders on the lower panel to the newly installed panel using 2 self-tapping screws.

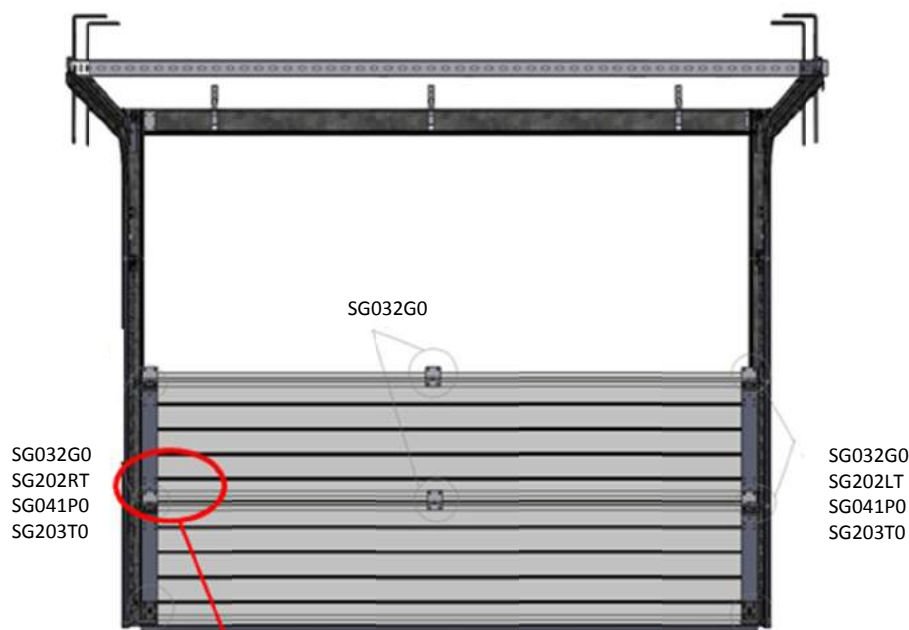


Figure 27: intermediate panel installation

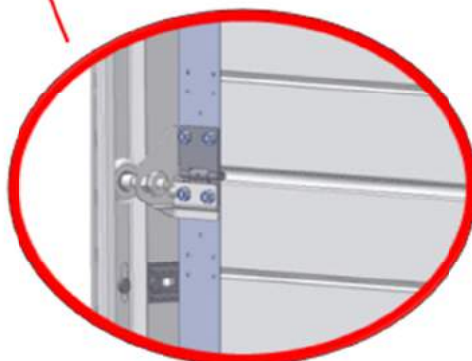


Figure 28: side roller carriers zoom

- Fasten the intermediate hinge(s) with 15mm self tapping screws (ref SG041P0) using the predrilled holes (\varnothing 4.2 mm). These hinges must be placed with their centres of rotation inside the panel (see figures 29 and 30).

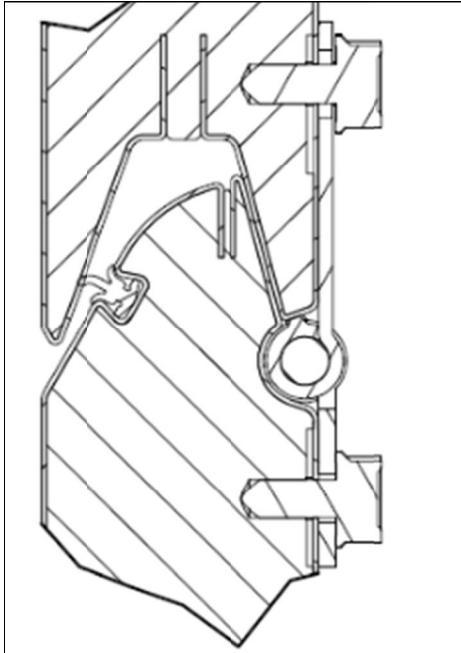


Figure 29: 15mm screws in reinforcement strips



Figure 30: FS intermediate hinge installed

3. The upper panel

- After placing the panel on the lower panel, place the upper roller (ref SG035P0) into the top bracket (ref SG034P0) on either side.

This should be done with 3 screws (ref SG041P0) in the vertical slots of the top brackets

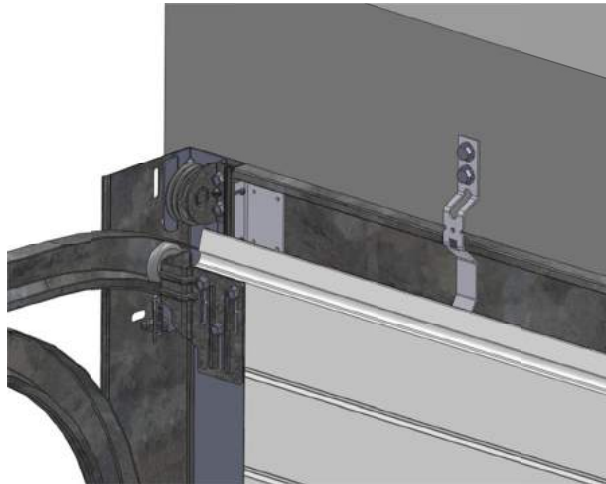


Figure 31: top panel assembly



Figure 32: Door leaf and track system installed

Installing the Cables and Adjusting the Balancing System

1. Uplift the doorleaf

In order to install the balancing system, you will have to manually uplift the door so that it is fully open. For heavier doors, two people may be required.



Figure 33: doorleaf fully opened

2. Prevent the door from falling

Lock the door leaf in fully open position with a pair of mole grips fixed onto the bottom roller/horizontal curve to prevent accident.

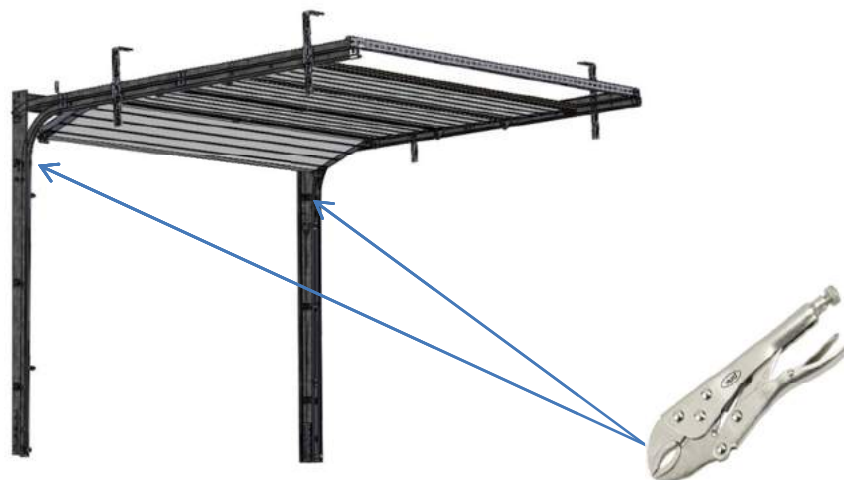


Figure 34: doorleaf locked

3. Cables installation

Take the end of both cables. Pass them through the top of the upper sheave. Make sure cables stay parallel.

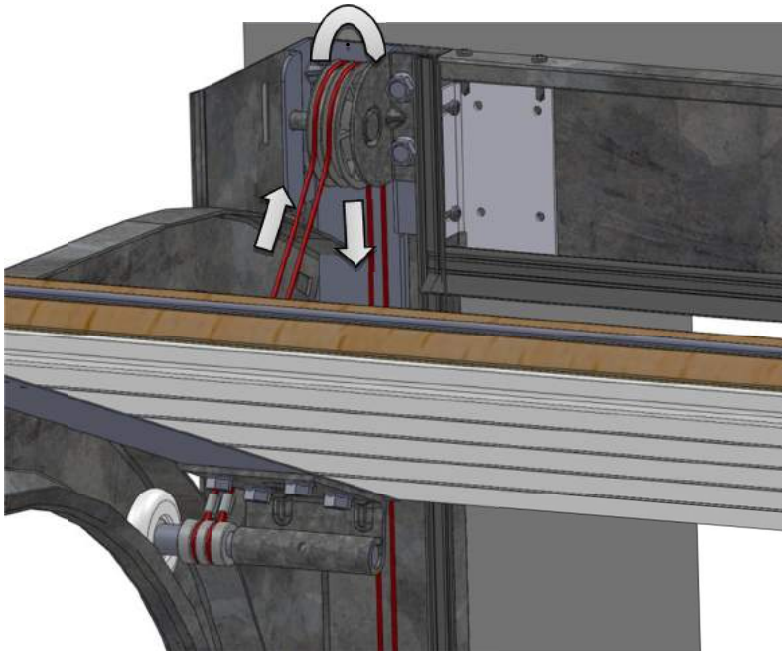


Figure 35: cable installation – step 1

Take one pre-assembled pair of springs in your hand. Slide cables ends in the pulley opening. Keep an eye on the cables parallelism.



Figure 36: cable installation – step 2

Both cables ends should now be hooked to the pivot plate. Once again, make sure both cables do not twist.

You can now slightly retighten the bolt and nut with two 13 mm spanners on the top bracket. Make sure the plate still can rotate freely.

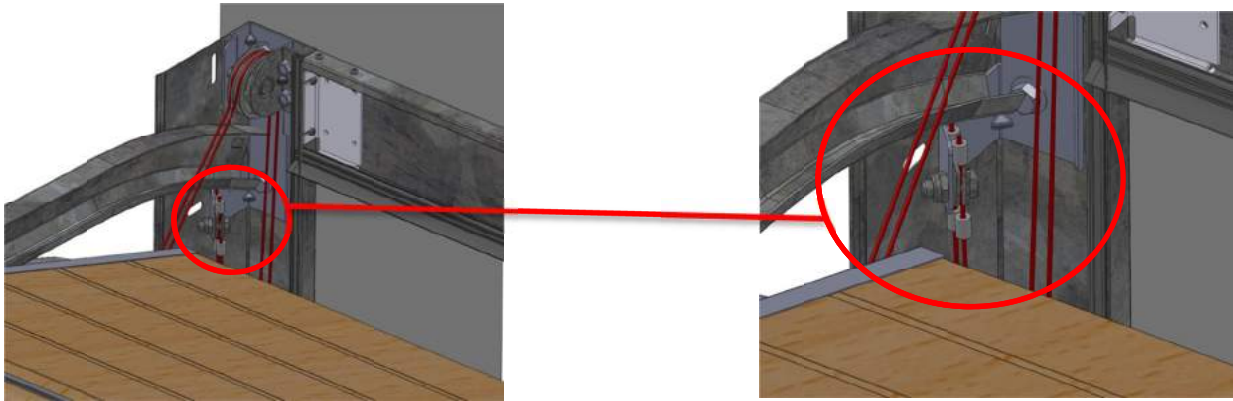


Figure 37: cable installation – step 3

4. Springs tensioning

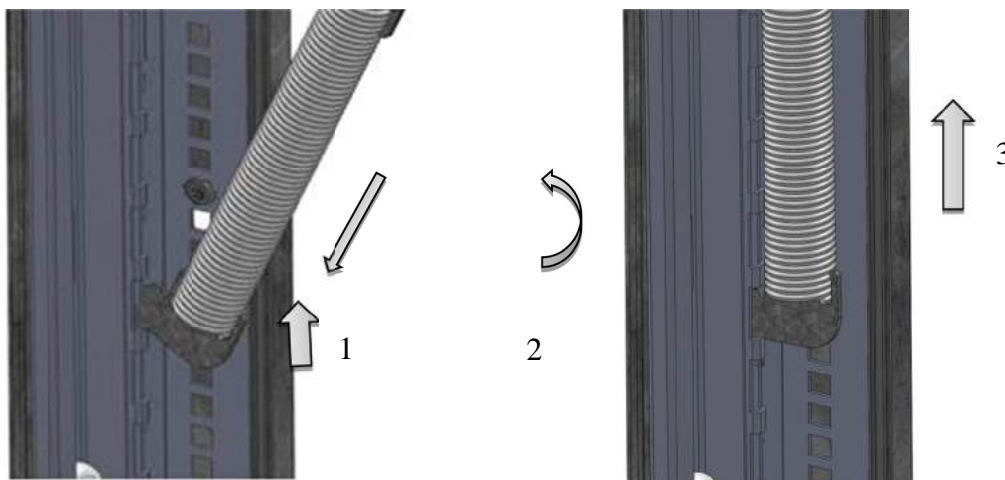


Figure 38: spring tensioning steps

You now have to pull downward on the springs.

- 1) Tilt the connection plate inwards so that you can slide the lower part of the hook in the control slot of the bottom bracket.
- 2) Tilt the spring back to the verticality. The Upper part of the hook should click inside the bottom bracket.
- 3) Release your hand from the springs. Make sure the hook is properly and safely engaged into the bottom bracket.

5. Repeat above operations on the other side

6. Balancing check

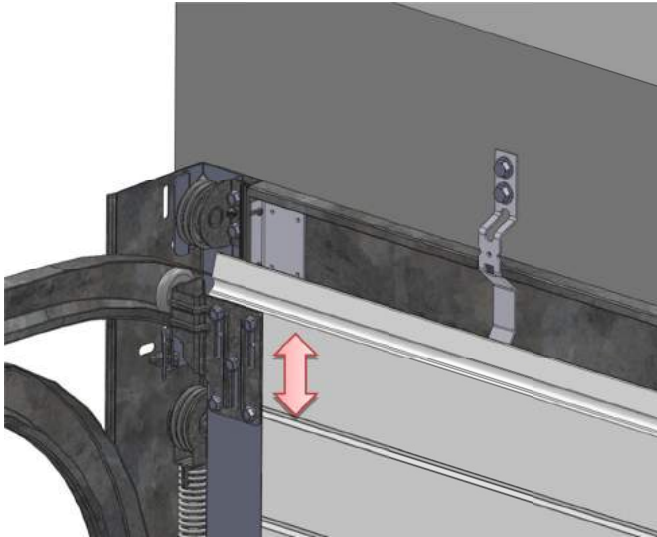
Unlock the door leaf (mole grips) holding the door and close it for the first time whilst at the same time holding the door firmly in place. Now operate several times the door to check that it is properly balanced.

If the door is properly adjusted it should open and close easily with no friction points.

Adjusting the door

As the door is now installed, all you have to do is make the fine adjustments.

1. Top roller carrier (ref SG034P0)

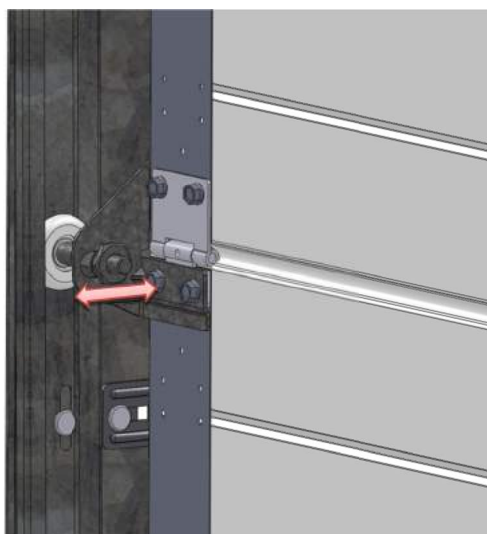


With the door closed, adjust the top roller carriers by pulling them downwards, so that you bring the upper panel properly into line against the top.

Then lock using self-tapping screws which you will place into the bottom holes (previously drilled using a 4.2 mm diameter drill bit).

Figure 39: top roller carrier adjustment

2. Side roller carriers (ref SG202LT & SG202RT)



With the door closed, adjust the side roller holders. Use a pair of 24 mm spanners, then exert a slight amount of pressure on the panel so that it is flattened against the seal and tighten the bolt up again.

Figure 40: side roller carriers adjustment

3. Tensioning bottom bracket (SG205T0)

If you feel that the springs are not properly adjusted (doorleaf not properly balanced), you should :

- repeat operation 1&2 from previous chapter (uplift and lock the door, see figures 33 and 34).
- repeat operation 4 (springs tensioning) by selecting another notch where to place your connection plate, upwards or downwards (see figure 38).

4. Cables ends

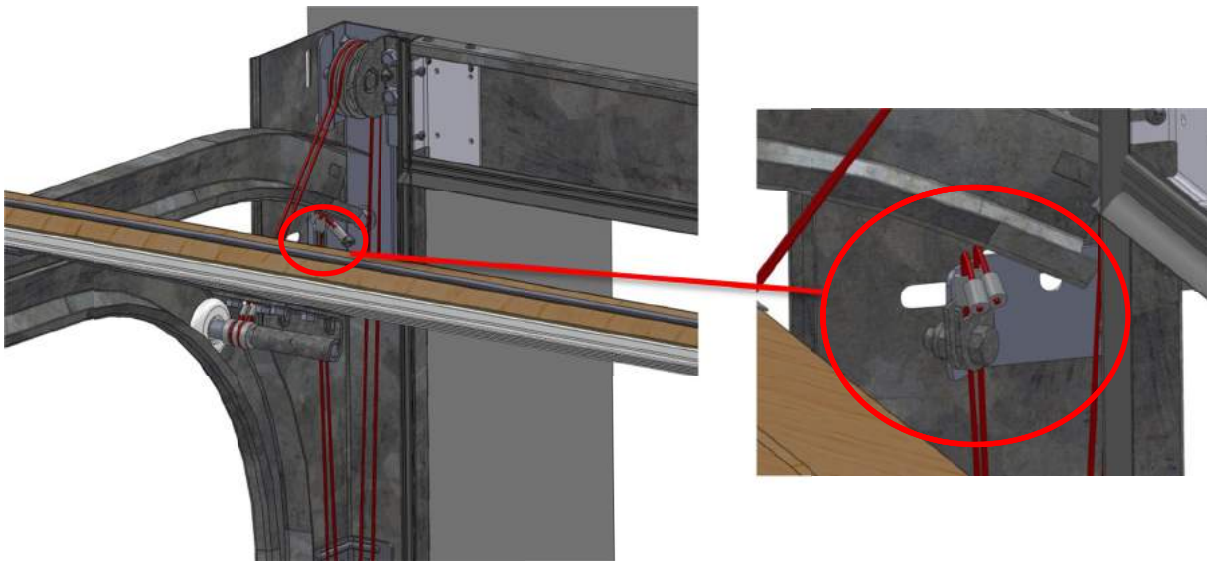
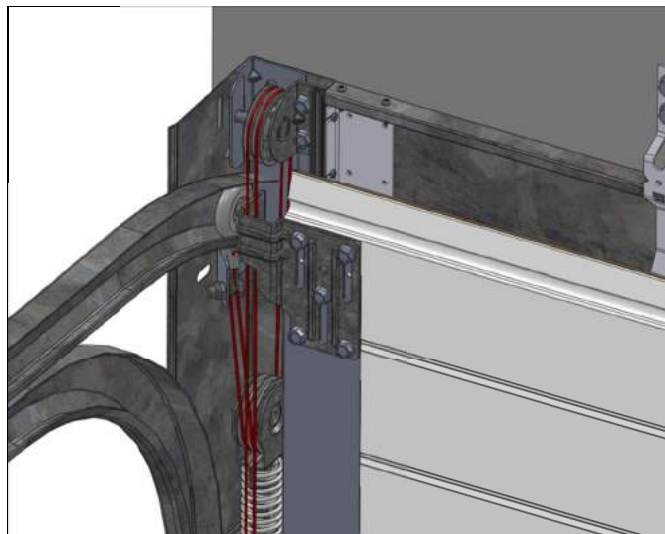


Figure 41: cable length adjustment

If you feel that the springs are not strong enough to balance your door, a last possibility would be to suspend the lower nicopress to the pivot plate. Then you have to cut the undesired 50 mm of cables with a cable cutter



| | | | | | |
|--------------------|--|--|--|--|--|
| <h1>Part List</h1> |  <p>SG045P0-SG045P1</p> |  <p>SG036PL-SG036PR</p> |  <p>SG032G0</p> |  <p>SG210T0</p> | |
| |  <p>SG202LT-SG202RT</p> |  <p>SG034P0</p> |  <p>SG203T0</p> |  <p>SG043P0</p> |  <p>SG048P1</p> |
| |  <p>SG050P0</p> |  <p>SG207R0</p> |  <p>SG044P0</p> |  <p>SG035P0</p> |  <p>SG047P0</p> |
| |  <p>SG208T0</p> |  <p>SG209T0</p> |  <p>SG051PL-SG051PR</p> |  <p>SG054P0</p> |  <p>SG206T0</p> |
| |  <p>SG205T0</p> |  <p>SG041P0</p> |  <p>SG204LT-SG204RT</p> |  <p>W1154WS</p> |  <p>SG086P0 SG086P1</p> |
| |  <p>SG200S1-S7</p> | | | | |
| | | | | | |

Accessories

| | | | | |
|--|--|---|---|--|
|  <p>SG089P0, SG105P0, SG106P0</p> |  <p>SG088P0</p> |  <p>T.B.C.</p> |  <p>SG039P0 SG080P0</p> | |
|--|--|---|---|--|

References Summary Table

Pre-assembled Vertical and Horizontal Sets

Vertical Set

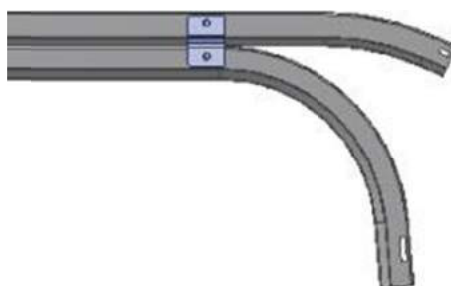
| Maximum Door Opening Height | Vertical Tracks | | Seal | | Assembled Set |
|-----------------------------|-----------------|---------|-------------|---------|---------------|
| | Length (mm) | Ref. | Length (mm) | Ref. | Ref. |
| 2000 | 1640 | SG200T1 | 2020 | SG200R0 | SG200T1 |
| 2150 | 1790 | SG215T1 | 2180 | SG215R0 | SG215T1 |



SG200T1 - SG215T1
White Vertical Set

| Maximum Door Opening Height | Assembled Set |
|-----------------------------|---------------|
| | Ref. |
| 2150 | SG212HT |

Horizontal Set



SG212HT
Horizontal Set

White Lintel Profile

| Ref | Length (mm) |
|---------|-------------|
| SG207T1 | 3000 |



Preassembled Cables

| Max. Door Opening Height (mm) | Cable Length (mm) | Ref |
|-------------------------------|-------------------|---------|
| 2000 | 2600 | SG260T0 |
| 2150 | 2725 | SG272T0 |



Maintenance

Every garage door has to be controlled once installed and then on a regular basis. This is to comply with EN12635:2002-norms.

This inspection has to be carried out by qualified installer.

After installation:

- | | |
|--|-----------|
| 1. Lubricate the running parts of the tracks | Installer |
| 2. Lubricate bearings and rollers | Installer |
| 3. Lubricate hinge pins | Installer |
| 4. Lubricate all seals | Installer |
| 5. Lubricate the springs and cables | Installer |

Lubrication should be made with a silicone spray.

After 3 months:

- | | |
|---|-----------|
| 1. Inspect visually (pays special attention to the cables and spring system) | Installer |
| 2. Check the balancing system and adjust if necessary | Installer |

Every 6 months:

- | | |
|--|------|
| 1. Remove dirt from the door and surroundings | User |
| 2. Lubricate as per here above (silicone spray) | User |
| 3. Clean the panels (with soft product and water, no detergent!) | User |
| 4. Check all the seals for any damages or wear and tear | User |

Every 12 months:

- | | |
|--|-----------|
| 1. Check the cables and connections on wear and tear | Installer |
| 2. Check the bottom brackets on wear and tear | Installer |
| 3. Check the balance of the door and adjust if necessary | Installer |
| 4. Check the pulleys on wear and tear | Installer |
| 5. Check the rollers on wear and tear | Installer |
| 6. Check the springs tension | Installer |
| 7. Check the fixing from horizontal track to the ceiling | Installer |
| 8. Check all the seals on wear and tear | Installer |

Disassembly

To disassemble a sectional overhead door, you need to follow the steps described here above in the reverse order.



This operation can only be handled by experienced and qualified installers. Safety rules needs to be followed carefully. In case of any doubt, please contact your supplier.

Disposal

Every components of a door can easily be disposed of. Please ensure to manage the disposal in the most environmental friendly manner. For more information on this matter, please contact your local authority.

